

Ruijie Reyee RG-EW3000GX PRO Home Wi-Fi Router

Hardware Installation and Reference Guide



Copyright

Copyright © 2024 Ruijie Networks

All rights are reserved in this document and this statement.

Any reproduction, excerpt, backup, modification, transmission, translation, or commercial use of this document or any portion of this document, in any form or by any means, without the prior written consent of Ruijie Networks is prohibited.



and other Ruijie networks logos are trademarks of Ruijie Networks.

All other trademarks or registered trademarks mentioned in this document are owned by their respective owners.

Disclaimer

The products, services, or features you purchase are subject to commercial contracts and terms. Some or all of the products, services, or features described in this document may not be within the scope of your purchase or use. Unless otherwise agreed in the contract, Ruijie Networks does not make any express or implied statement or guarantee for the content of this document.

The content of this document will be updated from time to time due to product version upgrades or other reasons. Ruijie Networks reserves the right to modify the content of the document without any notice or prompt.

This manual is for reference only. Ruijie Networks endeavors to ensure content accuracy and will not shoulder any responsibility for losses and damages caused due to content omissions, inaccuracies or errors.

Preface

Technical Support

- Official website of Ruijie Reye: <https://www.ruijienetworks.com/products/revee>
- Technical Support Website: <https://ruijienetworks.com/support>
- Case Portal: <https://www.ruijienetworks.com/support/caseportal>
- Community: <https://community.ruijienetworks.com>
- Technical Support Email: service_rj@ruijienetworks.com

Conventions

1. GUI Symbols

Interface symbol	Description	Example
Boldface	1. Button names 2. Window names, tab name, field name and menu items 3. Link	1. Click OK. 2. Select Config Wizard. 3. Click the Download File link.
>	Multi-level menus items	Choose System > Time.

2. Signs

The signs used in this document are described as follows:

Danger

An alert that calls attention to safety instruction that if not understood or followed can result in personal injury.

Warning

An alert that calls attention to important rules and information that if not understood or followed can result in data loss or equipment damage.

Caution

An alert that calls attention to essential information that if not understood or followed can result in function failure or performance degradation.

Note

An alert that contains additional or supplementary information that if not understood or followed will not lead to serious consequences.

Specification

An alert that contains a description of product or version support.

3. Note

This manual introduces the features of the product and offers guidance on configuration and testing.

Contents

Preface	I
1 Product Introduction	1
1.1 Overview	1
1.2 Package Contents.....	1
1.3 Appearance.....	2
1.3.1 Front Panel.....	2
1.3.2 Rear Panel	3
1.4 Technical Specifications	4
1.5 Power Supply Technical Specifications.....	6
1.6 Cooling.....	6
2 Preparing for Installation	7
2.1 Safety Precautions.....	7
2.2 Installation Environment Requirements.....	7
2.2.1 Temperature and Humidity.....	7
2.2.2 Cleanliness.....	8
2.2.3 ESD Protection Requirements.....	8
2.2.4 Anti-interference	8
2.2.5 Checking the Mounting Workbench.....	9
2.3 Tools	9
3 Installation	10
3.1 Before You Begin.....	10
3.2 Safety Precautions Before Installation.....	10
3.3 Installation Procedures	10

3.3.1	Installing the Router	10
3.3.2	Connecting Cables.....	11
3.4	Bundling Cables.....	11
3.5	Verifying Installation.....	12
4	Debugging	13
4.1	Setting Up the Configuration Environment.....	13
4.2	Powering On	13
4.2.1	Checklist Before Power-on	13
4.2.2	Checklist After Power-on	13
4.3	Troubleshooting Power Failures.....	13
5	Monitoring and Maintenance.....	14
5.1	Monitoring	14
5.2	Hardware Maintenance.....	14
6	Common Troubleshooting.....	15
6.1	Troubleshooting Flowchart	15
6.2	Common Faults.....	15
6.2.1	The LED Is Off After the Device Is Powered On.....	15
6.2.2	Ethernet Port Is Not Working After the Ethernet Cable Is Plugged In.....	15
6.2.3	A Client Cannot Discover the SSID of the Router	15
6.2.4	A Client Cannot Discover the 5 GHz SSID of the Router	16
7	Appendixes.....	17
7.1	Appendix A Connectors and Media.....	17
7.2	Appendix C Compliance Statements.....	18

1 Product Introduction

1.1 Overview

The RG-EW3000GX PRO router is a portable gigabit wireless router designed for small- or medium-sized indoor scenarios covering apartments, villas, residential buildings, and small business offices. Complying with IEEE 802.11a/b/g/n/ac/ax standards, this router supports both 5 GHz and 2.4 GHz bands, as well as 2 x 2 MU-MIMO technology, delivering ultra-fast speeds reaching up to 574 Mbps at 2.4 GHz, 2402 Mbps at 5 GHz, and a combined rate of 2975 Mbps. In addition to an uplink port (WAN port), this router also provides three gigabit downlink ports (LAN ports) for connecting to wired clients, making this router an ideal choice for meeting indoor wired and wireless deployment requirements.

1.2 Package Contents

Table 1-1 Package Contents

No.	Item	Quantity
1	RG-EW3000GX PRO Router	1
2	Power Adapter (12 V DC/1.5 A)	1
3	Ethernet Cable	1
4	Quick Installation Guide	1
5	Warranty Card	1

 **Note**

The package contents are general delivery contents, and are subject to the terms of the order contract. Please check your goods carefully against the package contents or order contract. If you have any questions, please contact the distributor.

1.3 Appearance

1.3.1 Front Panel

Figure 1-1 Front Panel



Table 1-2 LEDs

No.	Item	Description
1	System LED (labeled SYS)	<ul style="list-style-type: none"> ● Solid red: The router is not connected to the Internet, or to the primary router when used as a secondary router. ● Solid green: The router is connected to the Internet, or to the primary route, with an RSSI > -78dBm ● Blinking green: The router is starting /rebooting/upgrading. ● Solid orange: The mesh connection is weak, with an RSSI ≤ -78dBm.

1.3.2 Rear Panel

Figure 1-2 Rear Panel

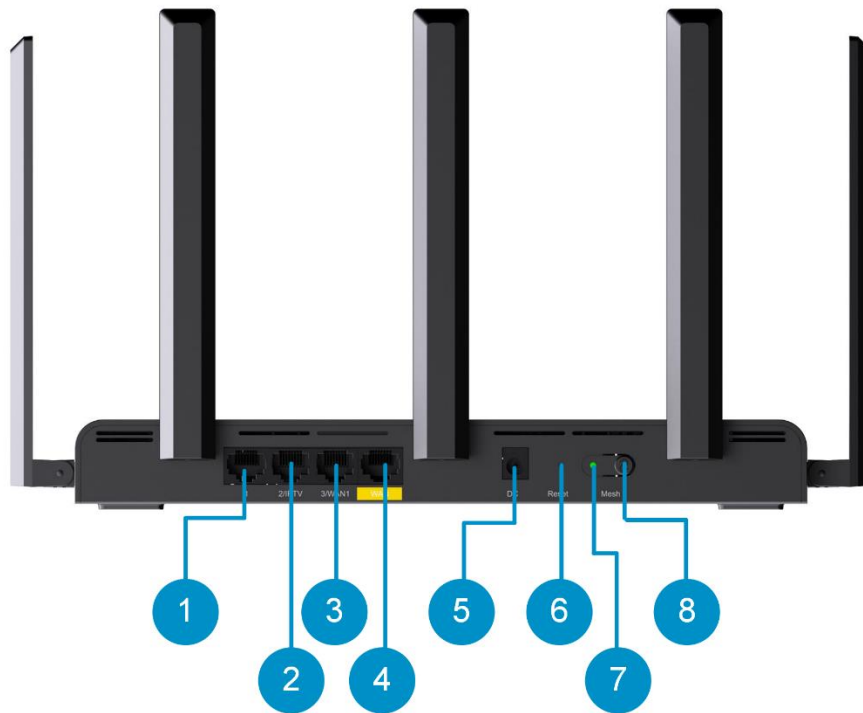


Table 1-3 Ports and Buttons

No.	Item	Description
1	Gigabit LAN port	10 Mbps/100 Mbps/1000 Mbps Base-T downlink port
2	Gigabit LAN port	10 Mbps/100 Mbps/1000 Mbps Base-T downlink port, supporting IPTV
3	Gigabit Ethernet port (labeled WAN/LAN)	10 Mbps/100 Mbps/1000 Mbps Base-T port
4	Gigabit WAN port	10 Mbps/100 Mbps/1000 Mbps Base-T uplink port
5	DC power cord connector	Connects to a 12 V/1.5 A DC power adapter to supply power to the router.
6	Reset button	Press and hold for less than 1 second: No action is triggered. Press and hold for more than 10 seconds: The router is restored to factory defaults.
7	Mesh LED	Blinking: The meshing is in process. Off: Not meshed. On: Meshed successfully.

No.	Item	Description
8	Mesh button	Press and hold for less than 2 seconds: The router establishes a mesh network with nearby unconfigured Reye routers or range extenders.

1.4 Technical Specifications

Table 1-4 Specification

Radio Specifications	2.4 GHz & 5 GHz dual-radio dual-stream
Protocol and Standard	Supporting 802.11ax, 802.11ac wave2, 802.11ac wave1, and 802.11a/b/g/n standards for simultaneous operation
Operating Frequency Bands	802.11b/g/n/ax: 2.4 GHz to 2.4835 GHz 802.11a/n/ac/ax: 5.1 GHz: 5.150 to 5.350 GHz; 5.4 GHz: 5.470 GHz to 5.725 GHz; 5.8 GHz: 5.725 GHz to 5.850 GHz
Antenna Type	External flat omni-directional antenna 2.4 GHz: 5 dBi 5.1 GHz: 5 dBi 5.8 GHz: 5 dBi
Spatial Streams	2.4 GHz: 2 x 2 MIMO 5 GHz: 2 x 2 MIMO
Data Rate	2.4 GHz: up to 574 Mbps 5 GHz: up to 2402 Mbps Combined: up to 2.974 Gbps
Modulation Technology	OFDM: BPSK@6/9 Mbps, QPSK@12/18 Mbps, 16QAM@24 Mbps, 64QAM@48/54 Mbps DSSS: DBPSK@1 Mbps, DQPSK@2 Mbps, and CCK@5.5/11 Mbps MIMO-OFDM: BPSK, QPSK, 16QAM, 64QAM, 256QAM, and 1024QAM OFDMA
Receive Sensitivity	2.4 GHz: 20 MHz 802.11b: -91 dBm (1 Mbps) 802.11g: -91 dBm (6 Mbps), -72 dBm (54 Mbps) 802.11n: -90 dBm (MCS0), -70 dBm (MCS7)

	<p>5 GHz: 20 MHz</p> <p>802.11n: -85 dBm (MCS0), -67 dBm (MCS7)</p> <p>802.11a: -89 dBm (6 Mbps), -72 dBm (54 Mbps)</p> <p>802.11ac: -90 dBm (MCS0), -63 dBm (MCS8)</p> <p>802.11ax: -88 dBm (MCS0), -62 dBm (MCS8), -58 dBm (MCS11)</p>
Max. Transmit Power	<p>2400 MHz to 2483.5 MHz \leq 20 dBm (EIRP);</p> <p>5150 MHz to 5350 MHz \leq 23 dBm (EIRP);</p> <p>5470 MHz to 5725 MHz \leq 30 dBm (EIRP);</p> <p>5725 MHz to 5850 MHz \leq 30 dBm (EIRP);</p>
Power Step	0.25%
Dimensions (W x D x H)	260 mm x 140 mm x 30 mm (10.24 in. x 5.51 in. x 1.18 in.) (excluding the accessories and mounting brackets)
Net Weight	0.48 kg
Service Ports	<p>Real panel: 1 x 10 Mbps/100 Mbps/1000 Mbps Base-T uplink port (WAN port)</p> <p>Real panel: 3 x 10 Mbps/100 Mbps/1000 Mbps Base-T downlink port (LAN port)</p>
Management Port	N/A
Status LED	1 x system LED, 1 x mesh LED
Power Supply	AC/DC power adapter (12 V/1.5 A DC)
Max. Power Consumption	< 18 W
Bluetooth 5.0	Not supported
Environment	Operating temperature: -10°C to 40°C (14°F to 104°F)
	Storage temperature: -40°C to +70°C (-40°F to +158°F)
	Operating humidity: 5% to 95% (non-condensing)
	Storage humidity: 5% to 95% (non-condensing)
Installation	Placed on a desktop or mounted on a wall with screws
Certification	CE, IC, CB, cTUVus, FCC

MTBF	> 25000 H
-------------	-----------

1.5 Power Supply Technical Specifications

The RG-EW3000GX PRO router supports 12 V/1.5 A DC power supply, and is supplied with a 12 V/1.5 A DC power adapter. Technical specifications of the DC power adapter connector:

Inner Diameter	Outer Diameter	Depth
2.10±0.05 mm (0.082±0.002 in.)	5.50±0.05 mm (0.217±0.05 in.)	9.5 mm (0.37 in.)

1.6 Cooling

This router adopts a fanless design. Therefore, a sufficient clearance needs to be maintained around the router for cooling.

2 Preparing for Installation

2.1 Safety Precautions

The RG-EW3000GX PRO router plays a vital role in connecting networks, and its proper functioning is crucial for ensuring the normal operation of all interconnected subnetworks.

The following safety precautions must be followed during installation and use:

- Do not place the device in a damp or wet location, and keep the device away from any kind of liquid.
- Install the device in a position far away from heat sources.
- Wear an ESD wrist strap during installation and maintenance.
- Do not wear loose clothing and tighten your belt, scarf, and sleeves to prevent clothing from getting caught on the device and causing damage.
- Keep tools and accessories away from walking areas to avoid damage.
- You are advised to use an uninterruptible power source (UPS) to avoid power failures and disturbance.

2.2 Installation Environment Requirements

The RG-EW3000GX PRO router must be installed indoors to ensure its normal operation and prolonged service life. The installation site must meet the following requirements.

- Temperature and Humidity
- Cleanliness
- ESD Protection Requirements
- Anti-interference
- Checking the mounting workbench

2.2.1 Temperature and Humidity

Maintain an appropriate temperature and humidity at the installation site to ensure its normal operation and prolonged service life. High humidity can lead to poor insulation and electrical performance issues such as leakage. On the other hand, low humidity can cause shrinkage of insulation gaskets and looseness of fastening screws, which can generate static electricity and pose a risk to internal circuits, especially in dry climate environments. High temperatures can significantly impact the reliability and service life of the device by accelerating the aging process of insulation materials. See the following table for temperature and humidity requirements.

Operating Temperature	Operating Humidity
-10°C to 40°C (14°F to 104°F)	5% to 95% RH (non-condensing)

2.2.2 Cleanliness

Dust poses a significant risk to the operational safety of the device. When indoor dust accumulates on the device, it can lead to electrostatic adsorption and result in poor contact. This not only affects the lifespan of the device, but also increases the likelihood of communication failures. The risk of electrostatic adsorption increases when the indoor relative humidity is low.

The following table describes the requirements for the dust content and granularity.

Max. diameter (μm)	0.5	1	3	5
Max. concentration (number of particles/m ³)	1.4×10 ⁷	7×10 ⁵	2.4×10 ⁵	1.3×10 ⁵

In addition to dust, the device also has specific requirements on the presence of harmful gases such as hydrochloric acid sulfides in the air at the installation site. These gases can cause accelerated corrosion of metals and aging of certain components. The table below displays the specific limits for harmful gases including SO₂, H₂S, NO₂, NH₃, and Cl₂ at the installation site.

Gas	Avg. (mg/m ³)	Max. (mg/m ³)
Sulfur dioxide (SO ₂)	0.2	1.5
Hydrogen sulfide (H ₂ S)	0.006	0.03
Nitrogen dioxide (NO ₂)	0.04	0.15
Ammonia gas (NH ₃)	0.05	0.15
Chlorine gas (Cl ₂)	0.01	0.3

2.2.3 ESD Protection Requirements

The RG-EW3000GX PRO router is designed with rigorous anti-static procedures during circuit design. However, excessive static electricity can still cause damage to its circuit board. Static electricity in the communication network connected to the device mainly originates from two sources:

- Outdoor high-voltage transmission lines, lightning and other external electric fields; and
- Internal systems such as indoor flooring materials and overall structure of the device.

To prevent damage caused by static electricity, please pay attention to the following:

- Keep the indoor installation environment clean and free of dust.
- Maintain appropriate temperature and humidity.

2.2.4 Anti-interference

Anti-interference measures primarily target electromagnetic and current interferences. The following requirements should be considered to ensure effective mitigation of interference:

- Take effective measures to prevent interference from power grid to the power supply system.

- Keep the device away from the grounding facility or lightning and grounding facility of the power device as much as possible.
- Keep the device far away from high-frequency current devices such as high-power radio transmitting stations and radar launchers.

2.2.5 Checking the Mounting Workbench

Regardless of whether the device is installed on a desktop or wall, the following conditions must be met:

- The desktop or wall surface must be smooth and clean.
- The network cables must be in good condition.

2.3 Tools

Common Tools	Phillips screwdriver, cables, fastening bolts, diagonal plier, cable ties,
Special Tools	Wire stripper, crimping plier, RJ45 crimping plier, and wire cutter.
Meters	Multimeter and bit error rate tester (BERT)

Note

The RG-EW3000GX PRO router is not shipped with a tool kit. You need to prepare a tool kit by yourself.

3 Installation

 Caution

Before installing the device, make sure that you have carefully read the requirements described in Chapter 2.

3.1 Before You Begin

Carefully plan and arrange the installation location, networking mode, power supply, and cabling before installation. Confirm the following requirements before installation:

- The installation location should meet the temperature and humidity requirements of the device.
- The installation location should meet the voltage and current requirements of the device.
- The selected power supply should meet the system power requirements of the device.
- The installation location should meet the network cable requirements of the device.
- The installation location should meet the installation site requirements of the device.
- Ensure that all the specific requirements of the intended users are met if this device is designed for special purpose.

3.2 Safety Precautions Before Installation

To ensure the normal operation and prolonged service life of the device, the following safety precautions must be followed:

- Do not power on the device during installation.
- Place the device in a well-ventilated environment.
- Do not expose the device to high temperature.
- Keep the device away from high-voltage power cables.
- Install the device indoors.
- Do not expose the device in a thunderstorm or strong electric field.
- Keep the device clean and dust-free.
- Cut off the power before cleaning the device.
- Do not wipe the device with a damp cloth.
- Do not wash the device with liquid.
- Do not open the enclosure when the device is working.
- Fasten the device tightly.

3.3 Installation Procedures

3.3.1 Installing the Router

- Installing the router on a flat surface

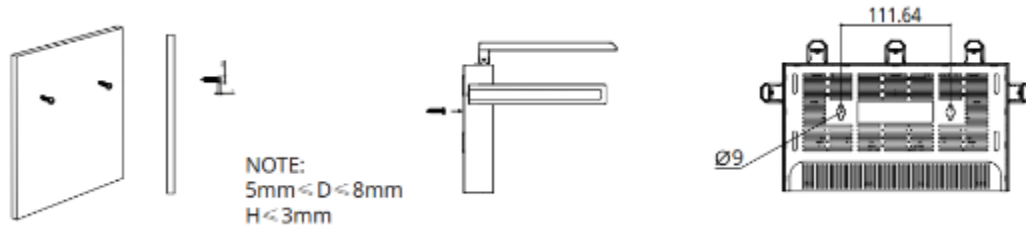
The router can be placed on a horizontal surface, such as on a shelf or desktop.

- Installing the router on a wall

Do not place the router in a place where it will be exposed to moisture or excessive heat.

Keep the router away from devices with strong electromagnetic interference, such as Bluetooth devices, microwave ovens, or cordless phones.

Generally, the router is placed on a horizontal surface, such as on a shelf or desktop. The router also can be mounted on the wall as shown in the following figure.

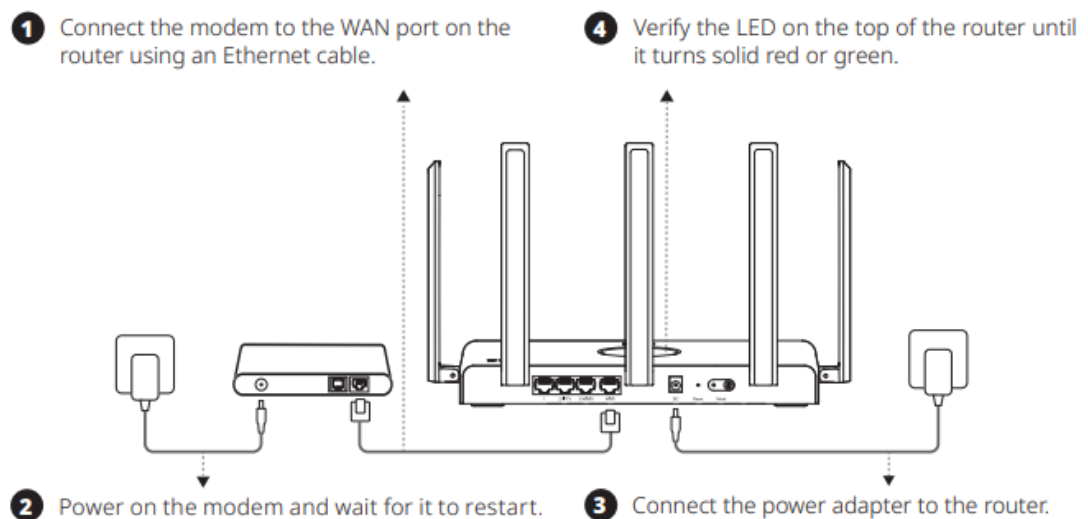


The screw head should have a diameter ranging from 5 mm to 8 mm ($5\text{ mm} \leq D \leq 8\text{ mm}$), with a maximum height of 3 mm. The distance between two screws should measure precisely 111.64 mm. The screw should have a minimum length of 20 mm, with a visible portion above the wall measuring at least 4.5 mm in order to withstand the weight of the product.

3.3.2 Connecting Cables

i Note

- If you use a modem for Internet access, power off your modem and remove the backup battery if it has one.
- If you do not have a modem, you can connect the Ethernet port in the wall directly to the WAN port of your router. Once connected, proceed to follow steps 3 and 4.



3.4 Bundling Cables

i Note

- Bundle the cables in a visually pleasing way.

- Make sure that the fibers at the connectors have natural bends or bends of large radius.
 - Do not bind fibers and twisted pair cables too tightly, as this may press the fibers and affect their service life and transmission performance.
-

Bundling steps:

- (1) Bundle the hanging part of the twisted pairs using cable ties and route them to the WAN port of the device.
- (2) Fasten the twisted pair cables to the cable trough of the mounting bracket.
- (3) Extend the twisted pair cables under the device and route them in a straight line.

3.5 Verifying Installation

- Verify that the device is firmly and reliably secured.
- Verify that the twisted pair cable matches the port type.
- Verify that cables are properly bundled.

4 Debugging

4.1 Setting Up the Configuration Environment

Verify that the power cables are in good condition and meet safety requirements.

4.2 Powering On

4.2.1 Checklist Before Power-on

Verify that the DC power connector of the device is in good condition, and that the device does not shake when the DC power adapter is connected to the DC power connector.

4.2.2 Checklist After Power-on

- Verify that the LED status is normal.
- After the device is powered on, verify that the SSID can be successfully connected to a smartphone or any other wireless device.

4.3 Troubleshooting Power Failures

The working status of the LED on the device indicates whether the device power system is malfunctioning. See Table 1-3 Ports and Buttons for the description of the LED status. Perform the following checks in the case of any abnormality:

- Verify that the device is properly powered on.
- Verify that the Ethernet cable is correctly connected to the device.

 **Note**

If the device still cannot be powered on after the preceding check, please contact your local distributor or technical support.

5 Monitoring and Maintenance

5.1 Monitoring

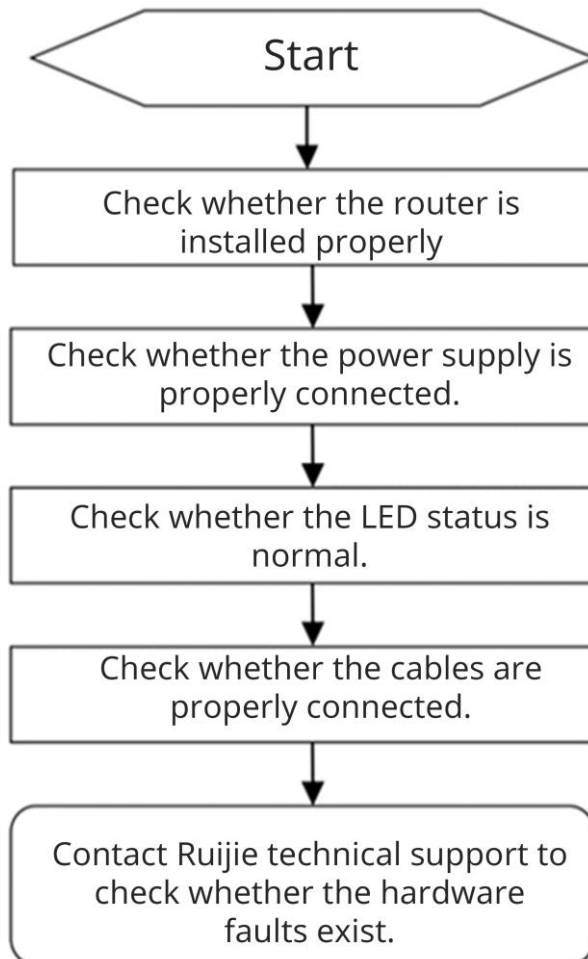
You can observe the LED status to monitor the device in operation.

5.2 Hardware Maintenance

If the hardware is faulty, please contact Ruijie Networks technical support.

6 Common Troubleshooting

6.1 Troubleshooting Flowchart



6.2 Common Faults

6.2.1 The LED Is Off After the Device Is Powered On

Check whether the supplied power adapter is connected properly, and whether the Ethernet cable is connected properly.

6.2.2 Ethernet Port Is Not Working After the Ethernet Cable Is Plugged In

Check whether the device at the other end of the Ethernet cable is working properly. Check whether the Ethernet cable is capable of providing the required data rate and is properly connected.

6.2.3 A Client Cannot Discover the SSID of the Router

(1) Check whether the router is properly powered on.

- (2) Check whether the Ethernet port is correctly connected.
- (3) Check whether the router is correctly configured.
- (4) Move the client closer to the router.

6.2.4 A Client Cannot Discover the 5 GHz SSID of the Router

- Check whether a 5 GHz SSID is configured on the router.
- Check whether the router is compliant with the IEEE 802.3at standard.

7 Appendixes

7.1 Appendix A Connectors and Media

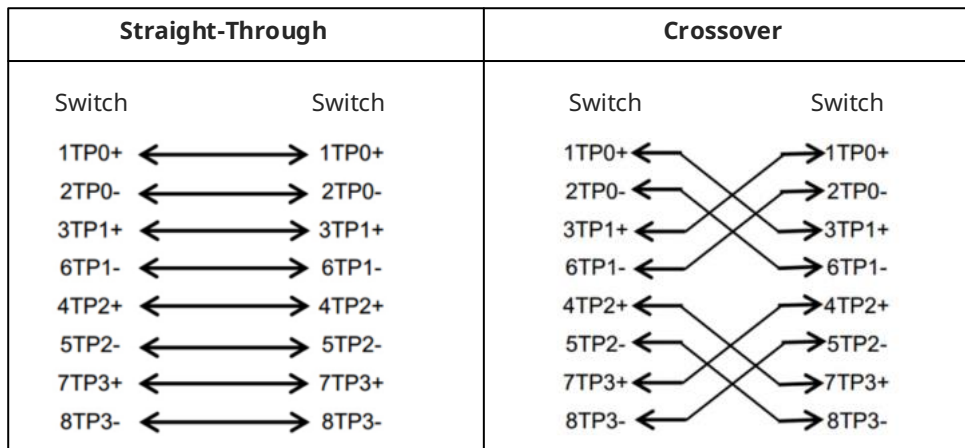
1000BASE-T/100BASE-TX/10BASE-T Port

The 1000BASE-T/100BASE-TX/10BASE-T is a 10/100/1000 Mbps auto-negotiation port that supports auto MDI/MDIX Crossover.

Compliant with IEEE 802.3ab, 1000BASE-T requires Category 5e 100-ohm UTP or STP (recommended) with a maximum distance of 100 meters (328 feet).

The 1000BASE-T port requires all four pairs of twisted wires to be connected for data transmission. The following figure shows twisted pair connections for the 1000BASE-T port.

Figure 7-1 1000BASE-T Twisted Pair Connections



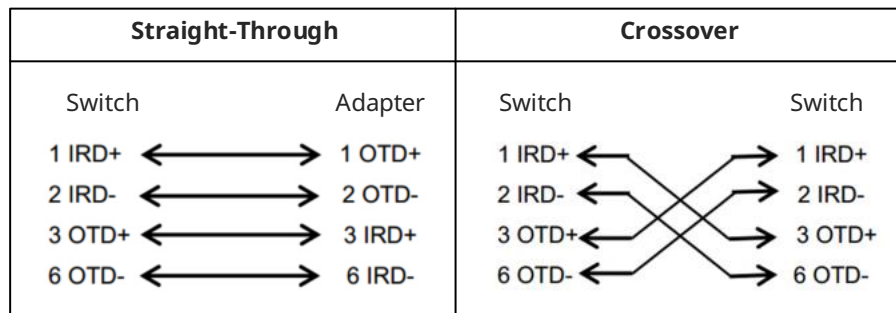
100BASE-TX/10BASE-T can be interconnected using cables of the preceding specifications. For 10 Mbps, the 100BASE-TX/10BASE-T port can be connected using 100-ohm Category 3, Category 4, and Category 5 cables; and for 100 Mbps, the 100BASE-TX/10BASE-T port can be connected using 100-ohm Category 5 cables with a maximum connection distance of 100 meters (328 feet). The following table shows 100BASE-TX/10BASE-T pin assignments.

Table 7-1 100BASE-TX/10BASE-T Pin Assignments

Pin	Socket	Plug
1	Input Receive Data+	Output Transmit Data+
2	Input Receive Data-	Output Transmit Data-
3	Output Transmit Data+	Input Receive Data+
6	Output Transmit Data-	Input Receive Data-
4, 5, 7, 8	Not Used	Not Used

The following figure shows feasible connections of the straight-through and crossover twisted pairs for a 100BASE-TX/10BASE-T port.

Figure 7-2 100BASE-TX/10BASE-T Twisted Pair Connections



7.2 Appendix C Compliance Statements

The router complies with the European Commission (EC) Regulation No. 1275/2008 and Regulation No. 801/2013

How to turn on or off Wi-Fi: 1. Log in to the web interface of the router, choose **More > Advanced > Wi-Fi Switch**, and click **Wi-Fi Switch** to turn Wi-Fi on or off. 2. Network standby power: < 8 W. 3. Default time for power management: The product enters network standby power mode immediately after data transmission stops. 4. You are advised to unplug the power cord if the product is not used for a long time. 5. For details, log in to the product website <https://www.ruijienetworks.com/products> to view the related document.

Use only power supplies listed in the user instructions.

Input: 100-240 V, 50/60 Hz 0.6 A; Output: 12 V 1.5 A 18.0 W

Power supply manufacturer:

1. Chenzhou Frecom Electronics Co. Ltd.

2. Hunan Frecom Electronics Co. Ltd. Model: F18L16-120150SPAz (z=U,V,B,D,C,S,K,M,A,I,E or F, indicates different AC plug type)